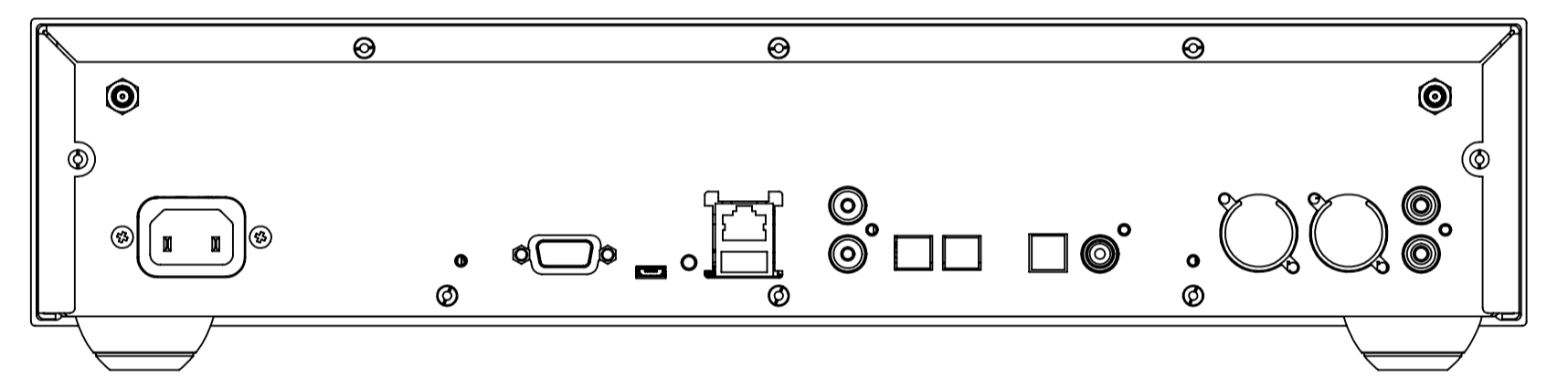
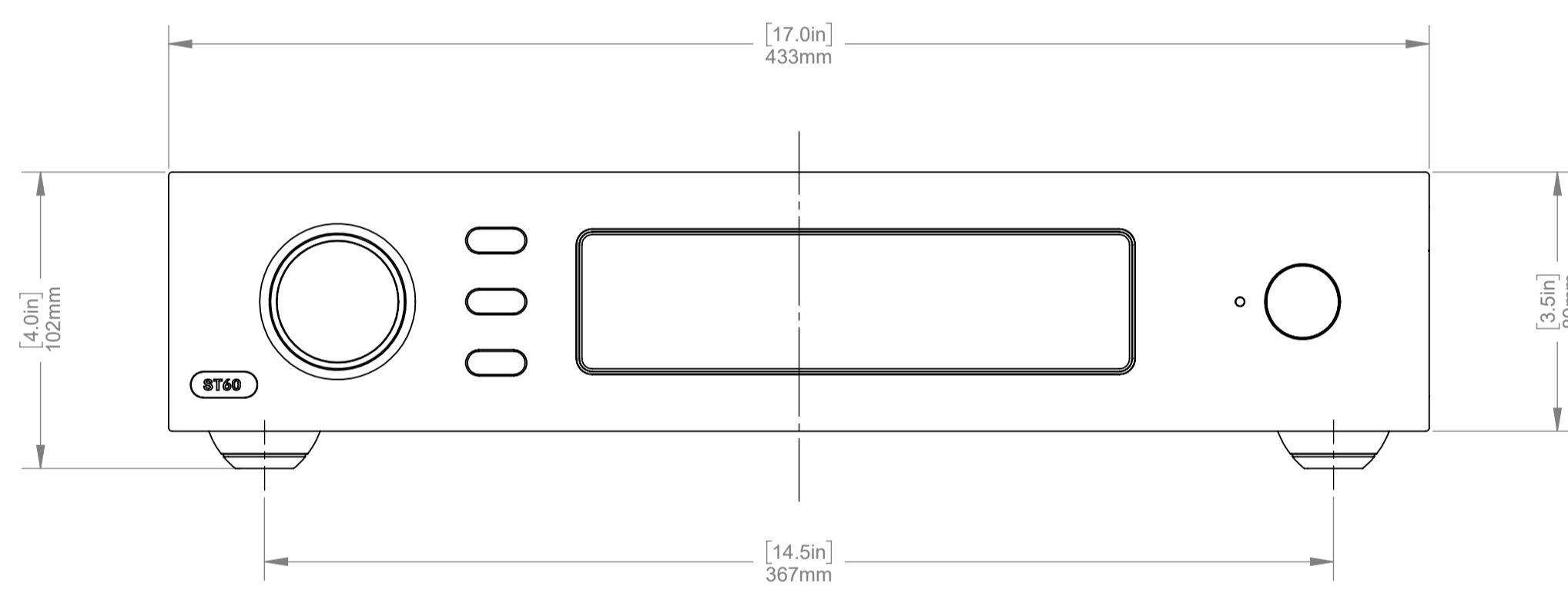
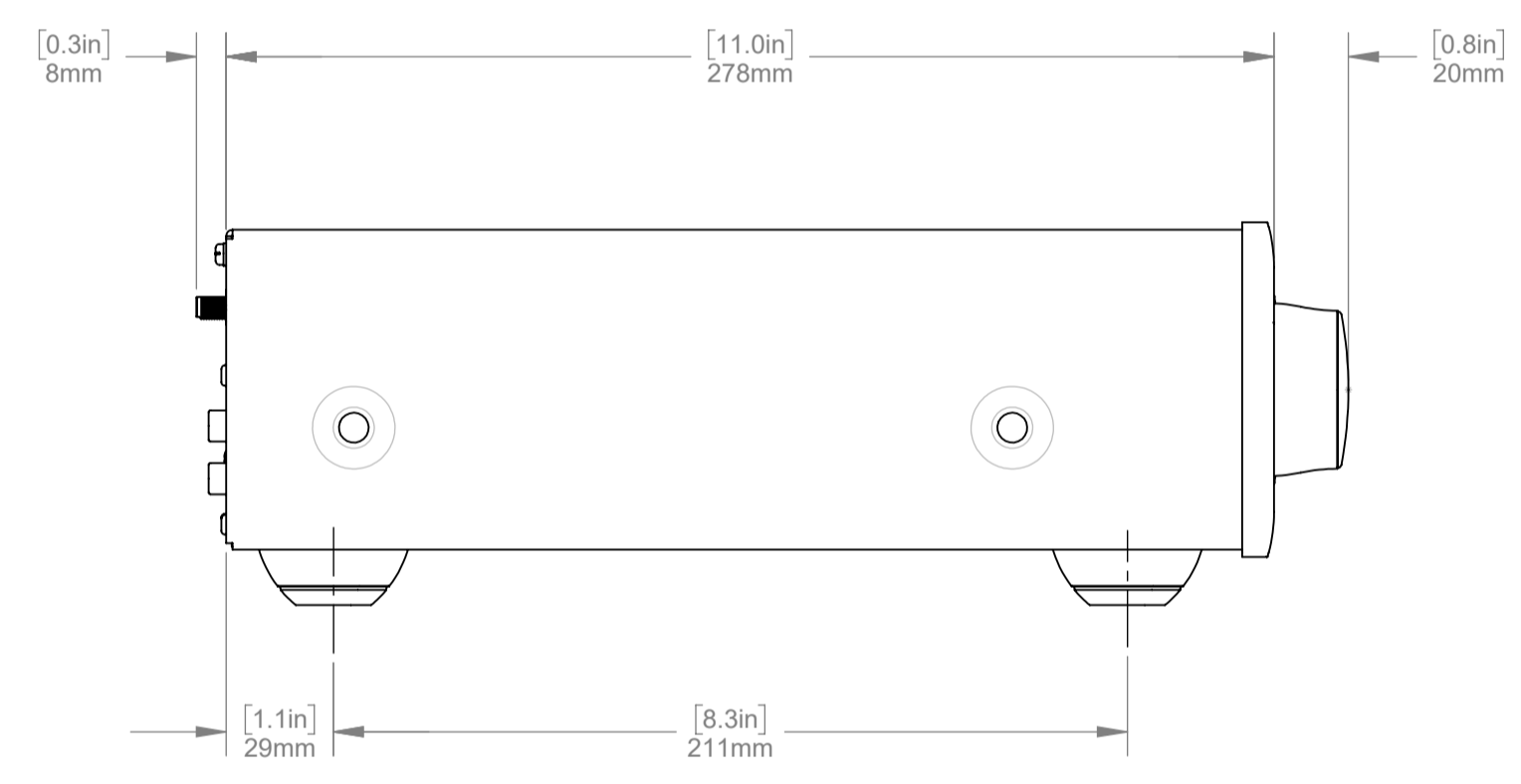
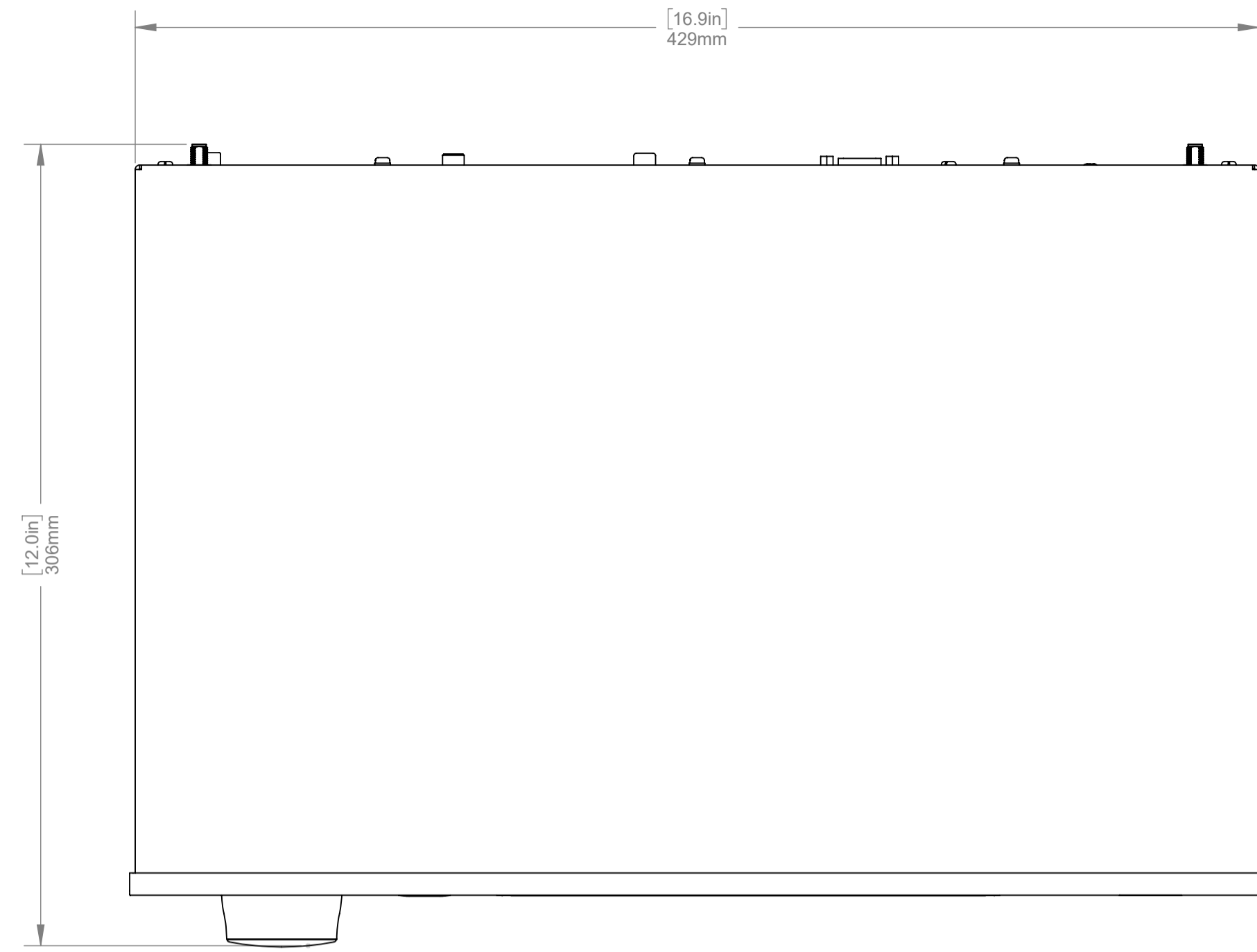
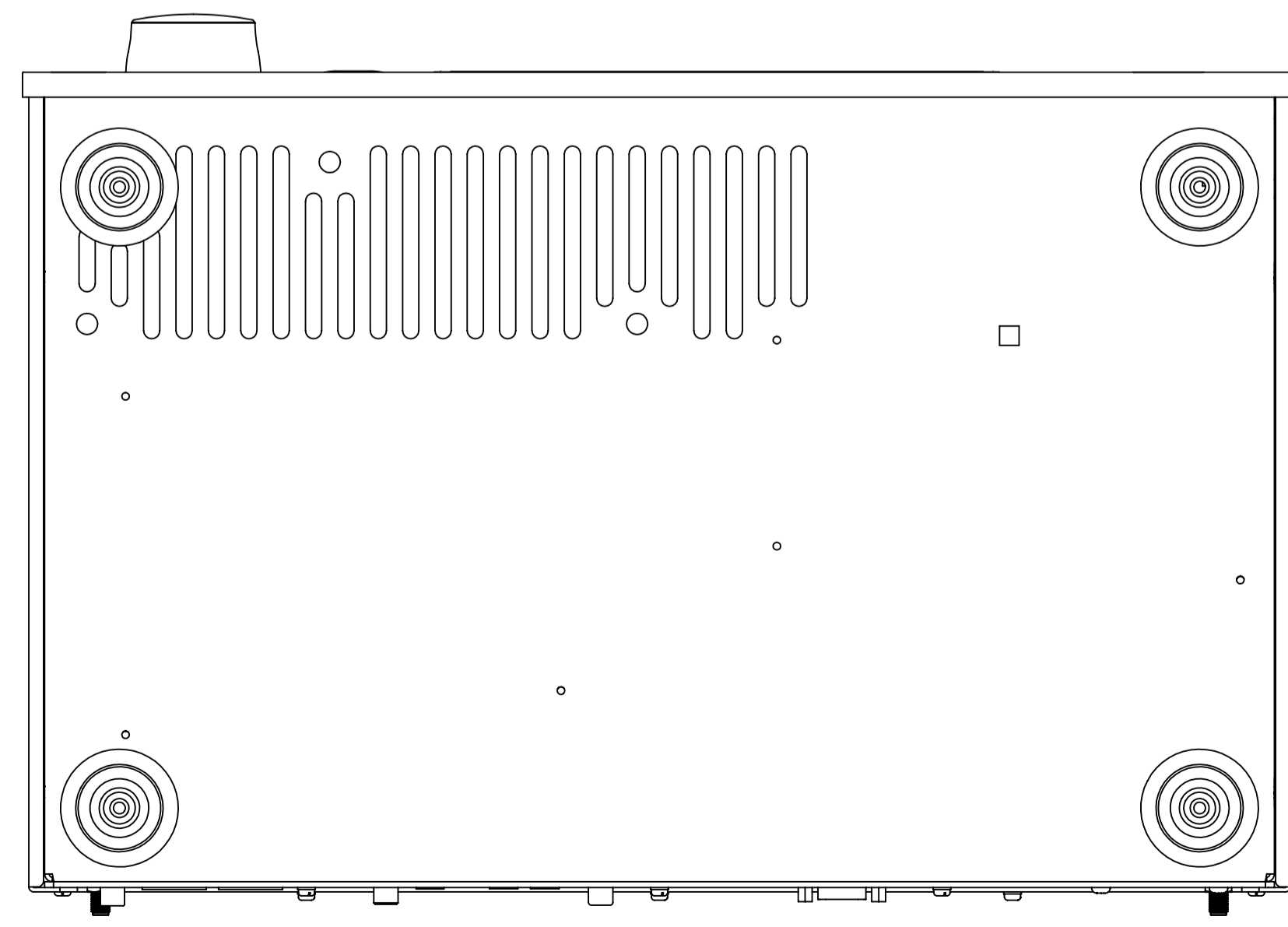


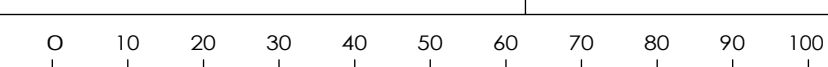
ECO NR.	DATE	CHG.	ZONE	DESCRIPTION OF CHANGE	REL.	DR.	CHK.
--	--	--	--	--	--	--	--
--	--	--	--	--	--	--	--
--	--	--	--	--	--	--	--
--	--	--	--	--	--	--	--
--	--	--	--	--	--	--	--



REAR VIEW



**NOTE:**  
ALLOW ADEQUATE CLEARANCE  
AROUND THE PRODUCT FOR  
VENTILATION & CONNECTION



<b>ARCAM</b> A & R CAMBRIDGE LTD LINEAR TOLERANCE: ±0.2MM UNLESS OTHERWISE STATED ANGULAR TOLERANCE: ±1° UNLESS OTHERWISE STATED	ALL DIMENSIONS IN MILLIMETERS UNLESS OTHERWISE STATED	DRAWN BY:	MCM
		DATE:	7-10-2019
MATERIAL:		CHECKED BY:	--
FINISH:		ORIGINAL SCALE:	1:2.5
PART NUMBER AND DRAWING NUMBER	ST60		
DRAWING TITLE	ST60 ASSEMBLY		

A1