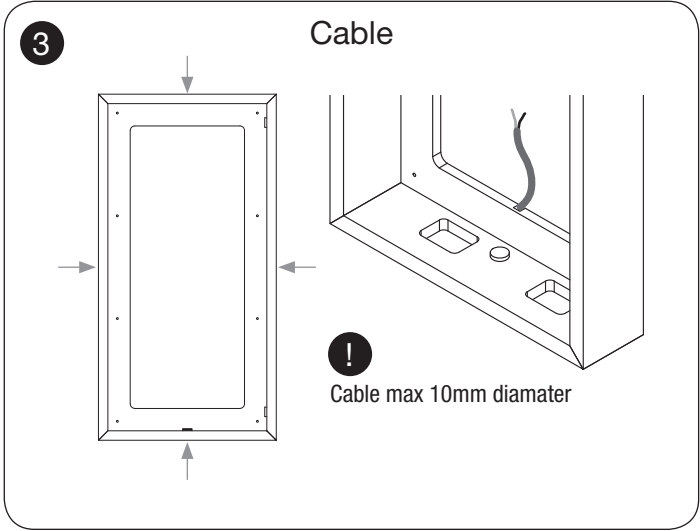
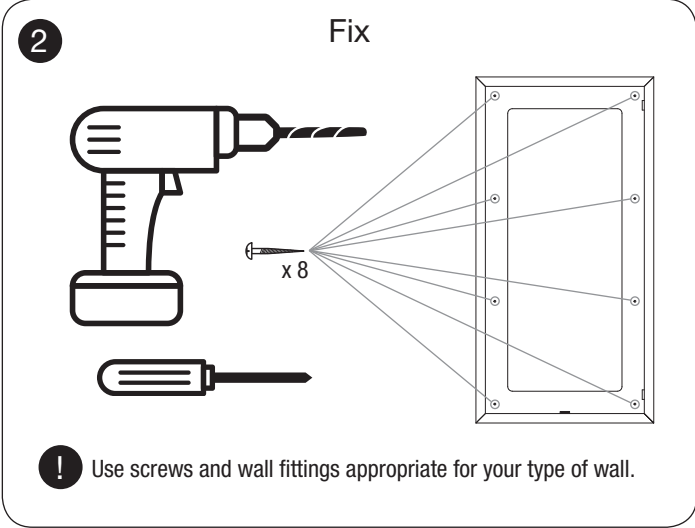
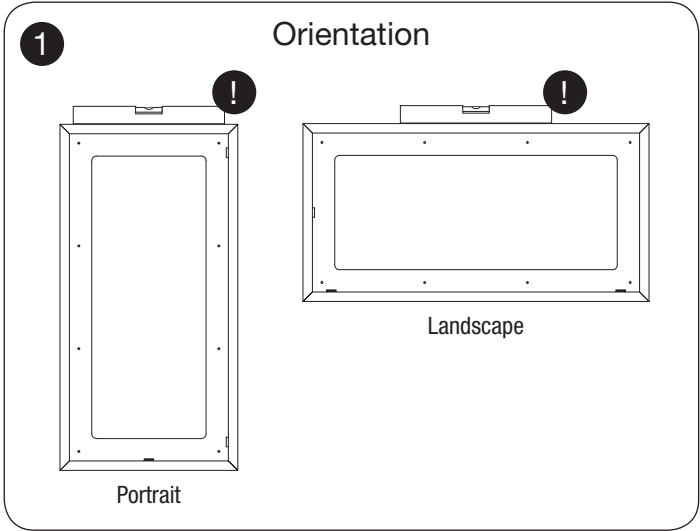
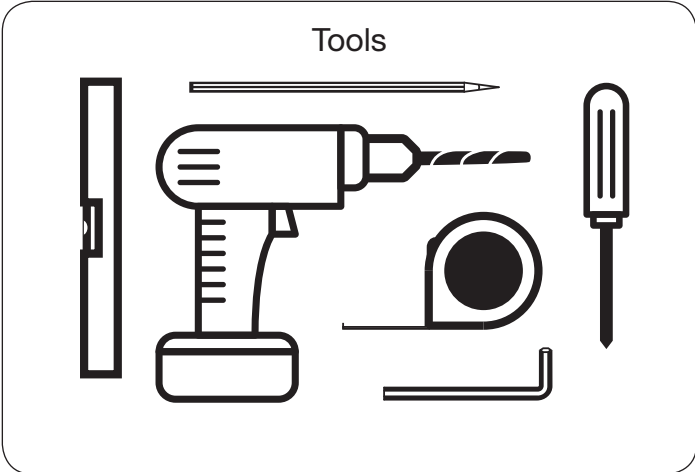




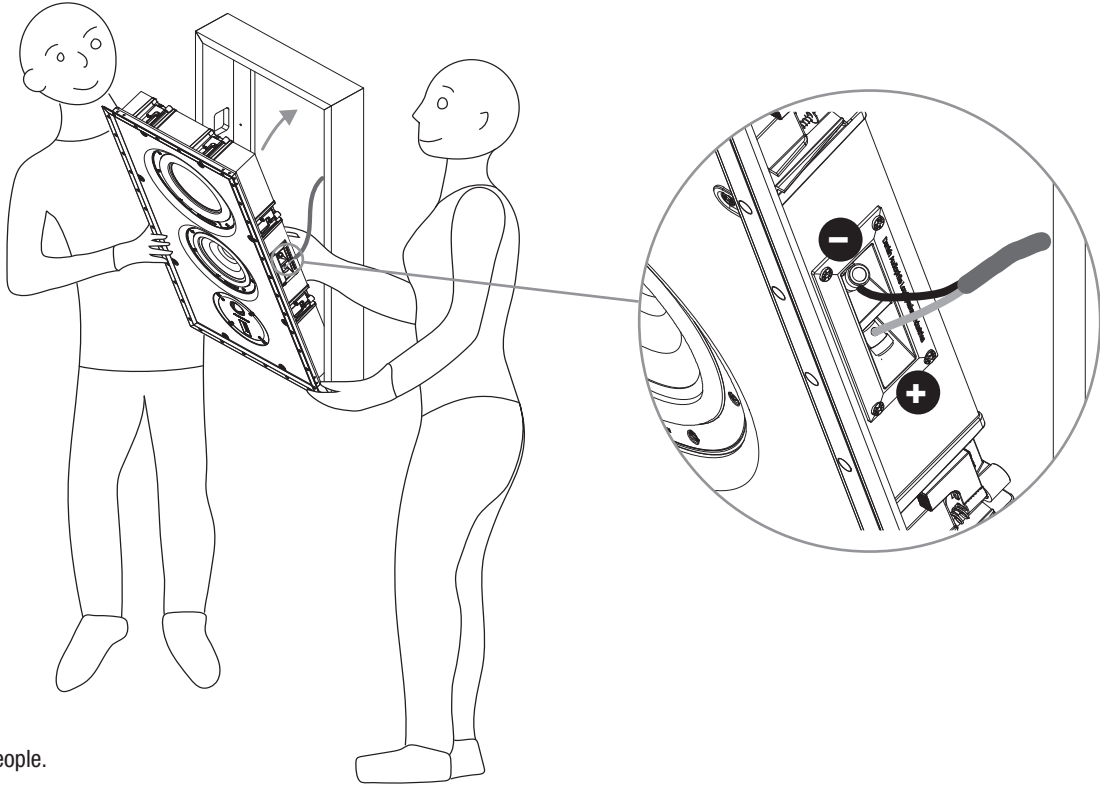
IN ADMIRATION OF MUSIC

- This guide illustrates the use of On-wall Mounting Frames with PHANTOM S in-wall speakers.
- On-wall Mounting Frames are available for the S-80, S-180 and S-280.
- Wall screws and wall screw fittings are not supplied with On-wall Mounting Frames. Use screws and wall fittings appropriate for your type of wall.
- If you have any concerns over the ability of a wall to support the weight of the mounting frame and speaker, or any doubt in your ability to fix the mounting frame securely, you should seek qualified advice.



4

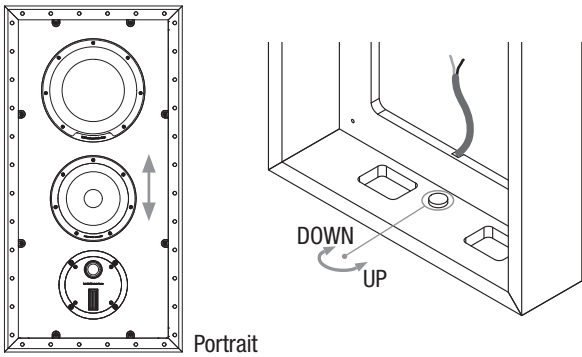
Insert and Connect Speaker



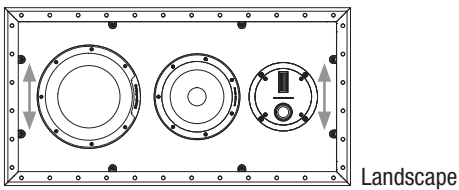
S-80: one person.
S-180/S-280: two people.

5

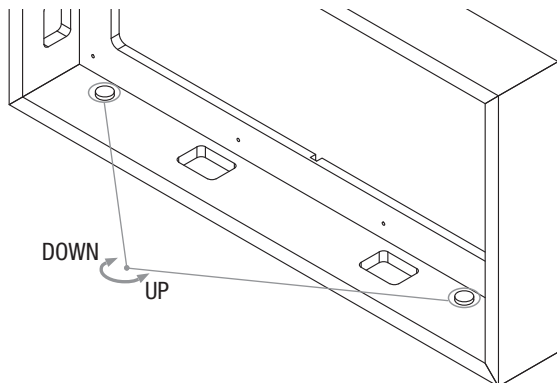
Height Adjustment (if necessary)



Portrait



Landscape



6

Secure Speaker

