

KANTA N°1 STAND

Product sheet

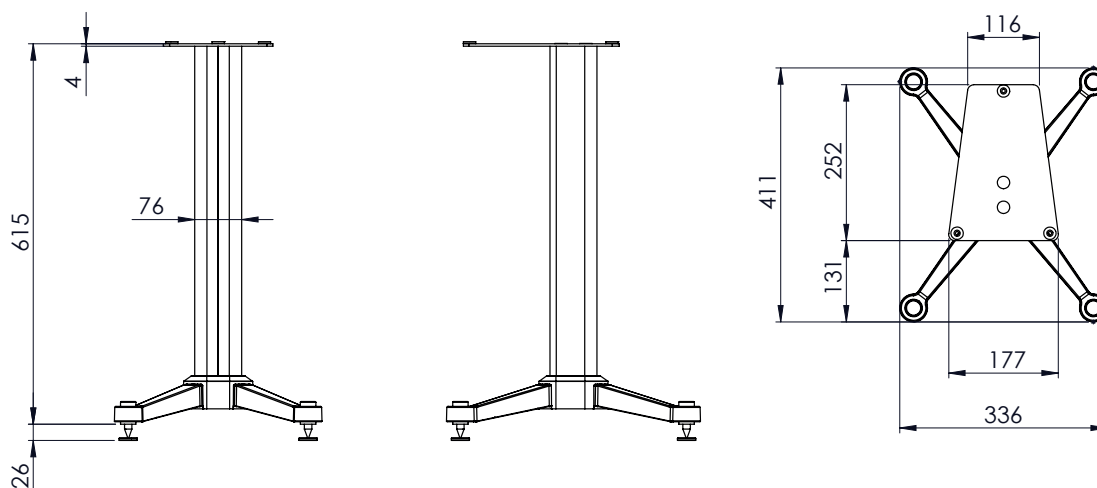
MADE IN
FRANCE



Key points

- Dedicated stand for the Kanta N°1 bookshelf loudspeaker
- The loudspeaker is fixed to the base to prevent vibrations and ensure optimal stability
- Spikes and feet included
- Design in harmony with the entire Kanta line

Type	Stand for bookshelf loudspeaker
Height without spikes	2ft (61.5cm)
Weight (unit)	16.3lbs (7.4kg)
Sold in pairs	



 **FOCAL**®