

*Luxman*

INTEGRATED AMPLIFIER

**L-509X**

*Owner's Manual*

# Contents

Precautions .....	1
Features of This Unit.....	2
Names and Functions.....	4
Connections .....	12
Operations.....	16
How to use Remote Control .....	18
Block Diagram.....	20
Specifications .....	21
Before Asking for Repair Services .....	22

## Installation place

This unit shall be installed in a well-ventilated and effectively heat-released place.

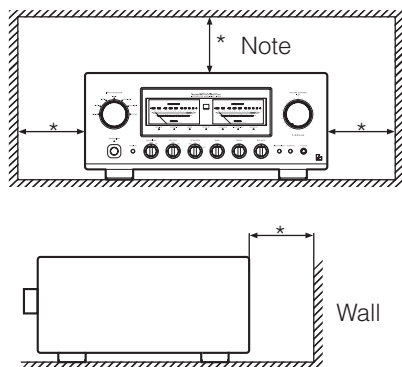
Especially, installation of this unit where direct sunlight is present, where the temperature rises excessively high such as close to a heater, or where it is humid or dusty may cause a malfunction even if heat is efficiently released. Therefore, do not install this unit in such places.

## Ventilation holes

The ventilation holes on the top and bottom boards of this product must not be blocked. If the amplifier is installed on a rack or the like, secure ample space for cooling and leave the door open. Do not pile up other things on the amplifier and never put articles on it. Failure to observe this may cause a malfunction.

### Note:

For heat dispersal, do not install this equipment in a confined space such as a book case or similar unit.



## Precautions in connecting with other components

When connecting this unit to input devices such as a CD player, an SACD player, a D/A converter, a tuner, and a recorder, be sure to turn off the power of this unit and all other connected devices. Failure to observe this may generate a strong noise resulting in speaker damage or cause a malfunction.

The pin-plug to be inserted in each input terminal of this unit shall be pushed in firmly. If the grounding terminal is inadequately connected, noises including hum may be generated, resulting in an adverse S/N ratio.

## Batteries

**Warning:** Batteries used for the remote control shall not be exposed to excessive heat such as sunshine, fire or the like.

## Cautions in connecting speakers

When making speaker system connections, exercise extra care not to short-circuit between  $\oplus$  and  $\ominus$  of the speaker terminals and speaker input terminals of this unit.

If a large signal is applied to the amplifier with its circuit left short-circuited, a large current may be passed through the output circuit and cause a malfunction.

## The sound is not generated shortly after the power supply is turned on.

This amplifier is equipped with a time muting circuit in order to separate the output circuit. Therefore, no sound will be generated shortly after the power supply is turned on.

If the volume control is set to a high sound level before the time muting circuit is canceled, a large sound is suddenly generated. Please be advised that the volume control shall be set to a low level at first and adjusted after the sound comes out of the speakers.

## Protection circuit

This product is equipped with a protection circuit that is activated upon detection of overcurrent, abnormally high temperature, and DC drift to protect the amplifier and speakers. When the protection circuit is activated, the output to the speaker terminal is shut off and the standby indicator blinks to show that this unit is in the muting state. If the protection circuit is frequently activated even when disconnecting the AC plug from the wall outlet, waiting for a certain time, connecting the plug to the wall outlet again, and turning on the power again, please consult your dealer.

## Repair and adjustment

When repairs or adjustments are needed, please ask the dealer where you bought the unit.

## Cleaning

For cleaning, use a piece of soft cloth to wipe the unit such as cleaning cloth. When the dirt is hard to remove, use a small amount of neutral detergent to wipe, and then wipe the unit with dry cloth. Do not use a solvent like benzene or thinner because such a substance can damage the exterior.

## Safety caution

# Caution

This unit is heavy. Be careful when unpacking, carrying, and installation.

If those work are done by yourself, injury may be caused.

# Features of This Unit

## **New LECUA1000 — LUXMAN Electronically Controlled Attenuator 1000 —**

New LECUA1000, which is the integration of an amplifier circuit and a high-precision attenuator by electronically-controlled fixed resistance switchovers is mounted. Further fine sound volume adjustable without deterioration of sound quality from 0 dB through -87 dB

## **ODNF — Only Distortion Negative Feedback —**

The output section features LUXMAN's original distortion-only negative feedback system which allows for a high speed primary slew rate and ultra-wide audio bandwidth. Only distortion generated in the amplification process is fed back for cancellation. This maintains pure, high quality sound reproduction in the main amplifier section. The latest version, ODNF 4.0 has achieved low impedance and a high signal to noise ratio for the transmission circuits thanks to the paralleled first stage and Darlington equipped second stage amplification circuits. Also the input stage error detection circuits are triple-paralleled to moderate frequency characteristics and noise.

## **4 parallel push-pull output stages**

4 parallel push-pull structure of bipolar transistors.  
Rated output of 120 W+120 W (8Ω), 220 W+220 W (4Ω)

## **Peel coat, PCB**

A peel coat PCB is used for the amplifier board to eliminate the dielectric effect of a resist by using gold plating instead of applying a resist on copper foil with 100μm in thickness.

## **Highly stable power supply**

Highly stable power supply circuit that combines a large-capacity EI-core-type power transformer with customizable 10,000μF × 8 capacitor blocks.

## **Parallel speaker relays**

This unit is equipped with 2 large parallel speaker relays with a low resistance value to reduce the impedance of the speaker output lines.

## **Beeline construction**

LUXMAN's "Beeline" construction ensures that the audio signal path takes the optimum shortest route from input to speaker output.

## **Selector switch IC**

Selector switch IC of high sound quality, which is used in the top-end control amplifier, C-900u, improves the separation and crosstalk performances.

## **Schottky barrier diodes**

By using Schottky barrier diodes, manufactured by Nihon Inter Electronics Corporation, this unit achieves higher DC conversion efficiency in the rectifier circuit and much less switching noise.

## **Original LUXMAN's OFC wiring**

Our original un-plated OFC wiring with spirally wrapped shielding is used for all internal connections to ensure smooth, pure signal transmission. Especially 3.5 mm<sup>2</sup> heavy wire is used between the amplifier board and speaker output board.

## **Non-angled circuitry**

After careful consideration of the delicate nature of audio signal flow, non-angled circuit board tracking has been adopted to achieve smooth signal transmission.

### **Phono amplifier**

This unit is equipped with a phono amplifier that is compatible with the MM/MC cartridge to achieve analog record reproduction in a high-grade level without adding a dedicated phono amplifier.

### **Separate function**

This unit is equipped with a separate switch to separate the pre-amplifier and power-amplifier each other that enables the bi-amp connection adding a power-amplifier and the coexistence with an AV system.

### **Loopless chassis structure**

This unit features a loop-less chassis, independently constructed to eliminate increases in ground impedance caused by chassis current.

### **Copper alloy RCA terminals**

A copper alloy terminal that has high conductivity equivalent to copper and hardness equivalent to brass is used for LINE-1 input terminal.

### **18 mm pitch RCA terminal**

18 mm pitch RCA input terminals are used (RCA terminals other than LINE-1) to support high sound quality cables with large connectors.

### **Ventilation**

Large-sized ventilation mounted on the top panel to enhance the heat radiation efficiency of this unit. The design follows M-900u/700u.

### **Cast-iron insulator**

For stability and support, this product features cast iron feet with vibration reducing density gradient.

### **Hairline finish for the top board**

Application of surface treatments such as blasted white for the main unit and sophisticated hairline finish for the top board.

### **Large type speaker terminals**

Speaker terminals (A and B systems) of inline layout (with same characteristics for right and left), which is compatible with Y lugs to enable easy connection with extra-thick speaker cables.

### **Headphone output terminal**

This terminal allows you to casually enjoy sound with headphones.

### **Needle-type meter**

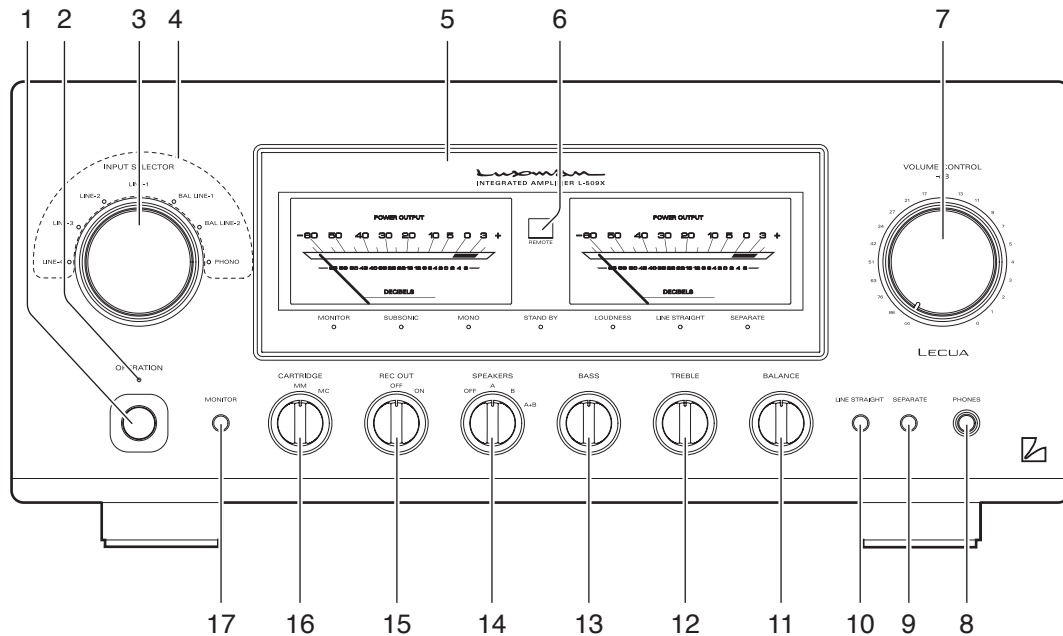
This unit is equipped with needle-type meters lighted with LED, which improves the visibility in the listening room. High visibility thanks to white illumination.

### **Aluminum remote control**

The high-grade remote control, which is encased in aluminum, can control applicable CD/SACD players as well.

# Names and Functions

## Front panel



### 1. Operation switch (OPERATION)

Toggles the power on and off. When wiring or connection is performed, be sure to turn off this switch.

### 2. Operation indicator (OPERATION)

Blinks in the time of muting mode when the operation switch is turned on and lights up when the operation state is activated afterward. This indicator blinks when the unit is in the muting mode or when the volume is adjusted with the remote control.

### 3. Input selector (INPUT SELECTOR)

Selects an input device from the devices such as a CD player, an SACD player, a D/A converter, and a tuner connected to each input terminal.

The input selector has 7 positions consisting of LINE-4, LINE-3, LINE-2, LINE-1, BAL LINE-1, BAL LINE-2 and PHONO from left to right that correspond to each input terminal on the rear panel. Rotate the knob to light the input indicator of the input device to be selected.

### 4. Input indicator

Lights up at the input device selected with the input selector or remote control.

## 5. Display window

Displays the operation status of this unit.

This window is composed of 7 indicators and 2 power meters.

## 6. Remote sensor (REMOTE)

Receives signals from the accessory remote control.

## 7. Volume control (VOLUME CONTROL)

Adjusts the sound volume. Sound is not generated when this control is rotated counterclockwise to the end, and then, the sound volume gradually becomes higher when the control is rotated clockwise as follows: mute → -87 dB → -86 dB → ..... → 0 dB in steps of 1 dB.

## 8. Headphone jack (PHONES)

Insert the headphone plug into this output jack. Even when the plug is inserted, signals to the speaker output terminal are not interrupted. Accordingly, to listen to sound with only use of headphones, set the speaker selector to "OFF".

## 9. Separate switch (SEPARATE)

Separates the pre-amplifier and main-amplifier each other.

off (separate indicator off):

Uses this unit as a normal integrated amplifier.

on (separate indicator on):

Feeds external signals from the MAIN IN terminal on the rear panel to the main-amplifier section.

- This switch toggles the separate on and off.

The separate indicator lights up when the separate switch is on.

---

**When the separate switch is set to on, the volume control of this unit cannot adjust the volume of the speakers connected to this unit. Volume adjustment shall be performed at the input device side such as a control amplifier connected to the MAIN IN terminal.**

**Entry of direct output into the MAIN IN terminal from a CD player or other devices that cannot adjust sound volume always provides full power and accordingly there is a risk of speaker damage.**

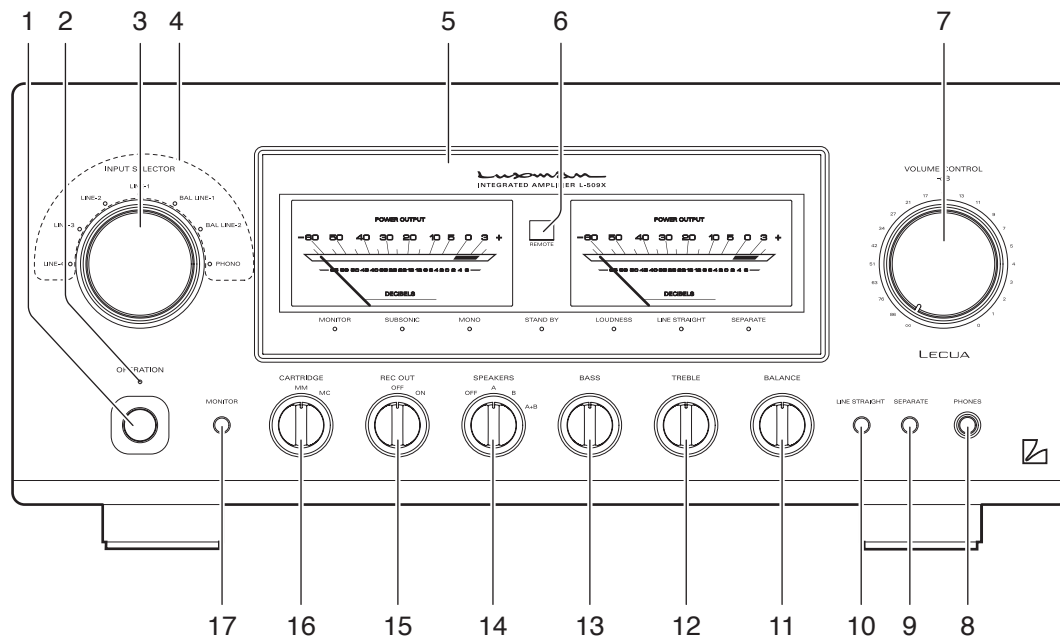
**For such input devices, be sure to use a control amplifier equipped with the sound volume adjustment function as a relay, generate sound through the speakers with volume lowered, and adjust the volume to your favorite level.**

**When arranging the wiring, be sure to turn off the power of this unit.**

---

# Names and Functions

## Front panel



### 10. Line straight switch (LINE STRAIGHT)

Enhances the purity of the sound quality by bypassing the balance control circuit, tone control circuit, or the like.

off (line straight indicator off): Line straight off/bypass off

on (line straight indicator on): Line straight on/bypass on

- This switch toggles the line straight on and off.

The line straight indicator lights up when the line straight switch is set to on.

---

**When the line straight switch is set to on, the balance control, tone control, subsonic, monaural and loudness cannot be adjusted and the mode selector does not function.**

---

### 11. Balance control (BALANCE)

This control allows the listener to adjust the relative volume level of the left and right channels.

Rotating the control counterclockwise gradually cuts the volume of the right channel, rotating the control clockwise gradually cuts the volume of the left channel.

Under normal conditions, this control should be set to the center position and then adjusted as necessary.

When the line straight switch is set to on, this switch does not function.

### 12. Tone control for treble TONE CONTROL (TREBLE)

Controls the frequency characteristics of the high-frequency range.

When this control is set to the center position, flat frequency characteristic is obtained. Rotating this control clockwise makes the high-frequency range enhanced, and rotating this control counterclockwise makes the high-frequency range attenuated.

When the line straight switch is set to on, this switch does not function.



### 13. Tone control for bass **TONE CONTROL (BASS)**

Controls the frequency characteristics of the low-frequency range.

When this control is set to the center position, flat frequency characteristic is obtained. Rotating this control clockwise makes the low-frequency range to be enhanced, and rotating this control counterclockwise makes the low-frequency range attenuated.

When the line straight switch is set to on, this switch does not function.

### 14. Speaker selector (**SPEAKERS**)

Selects either of 2 speaker systems, A or B, located at the rear panel.

OFF: Set to off when using headphones. No sound is generated from any speakers.

A (center): Selects the A system speaker terminals.

B: Selects the B system speaker terminals.

A+B: Simultaneously activates both A and B system speakers. When both speaker terminals are simultaneously used, select speakers with impedance of 8  $\Omega$  or more because both output terminals are connected in parallel.

### 15. Recording switch (**REC OUT**)

Sends recording signals to the recorder connected to this unit.

OFF: Does not send recording signals to the recorder output terminals on the rear panel.

When not using the recorder, set the recording switch to OFF.

ON: Selects an input source to be recorded with the input selector and sends recording signals to the recorder connected the recorder output terminals of this unit.

### 16. Cartridge selection switch **(CARTRIDGE)**

Changes the gain level of the equalizer amplifier (amplifier circuit required to play an analog record).

MC: Selects the MC (moving coil) type cartridge of low output voltage.

When "MC" is selected during use of the MM type cartridge, be aware that the sound volume becomes higher and unbalanced sound without high frequencies is generated owing to the impedance.

MM: Selects the MM (moving magnet) type cartridge of high output voltage.

### 17. Monitor switch (**MONITOR**)

Toggles between use and nonuse of the monitor input terminals (MONITOR) on the rear panel.

on (monitor indicator on):

Enables to reproduce the data from the recorder.

off (monitor indicator off):

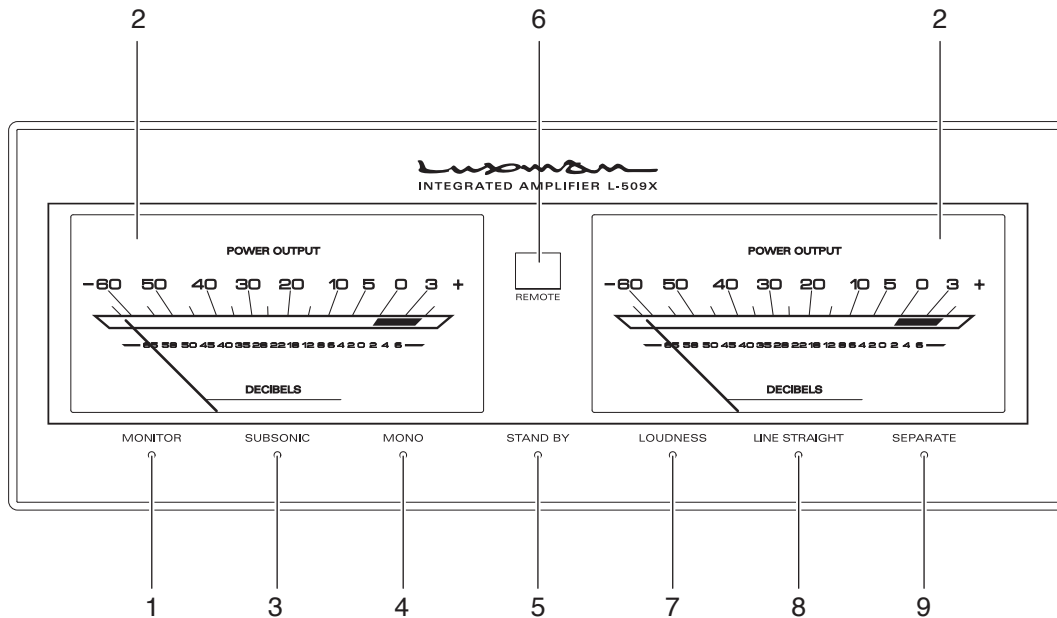
Enables to reproduce the signals from the source selected with the input selector.

- This switch toggles the monitor on and off.

The monitor indicator lights up when the monitor switch is on.

# Names and Functions

## Display window



### 1. Monitor indicator (MONITOR)

Lights up when the monitor switch is on.

### 2. Power meters

The left meter reads the output of the L channel, and the right meter reads the output of the R channel. The meters read the level in decibels.

The meters light when the power is on.

### 3. Subsonic indicator (SUBSONIC)

Lights up when the subsonic switch is on.

### 4. Monaural indicator (MONO)

Lights up when the monaural switch is on.

---

The subsonic, monaural and loudness can be toggled only from the accessory remote control (RA-17A).

---

### 5. Standby indicator (STAND BY)

Lights up when the AC plug is plugged into a wall socket and the operation switch is set to off.

This indicator turns off when the AC plug is disconnected from the wall socket or the operation switch is set to on.

This indicator blinks when the protection circuit is activated.

### 6. Remote sensor (REMOTE)

Receives signals from the accessory remote control.

### 7. Loudness indicator (LOUDNESS)

Lights up when the loudness switch is on.

### 8. Line straight indicator (LINE STRAIGHT)

Lights up when the line straight switch is on.

---

When the line straight switch is set to on, the subsonic, monaural and loudness cannot be adjusted from the accessory remote control.

When one of these switches is pressed, the line straight indicator blinks for 3 seconds to show that this unit cannot be operated.

Adjust the subsonic, monaural or loudness after setting the line straight switch to off.

---

### 9. Separate indicator (SEPARATE)

Lights up when the separate switch is on.

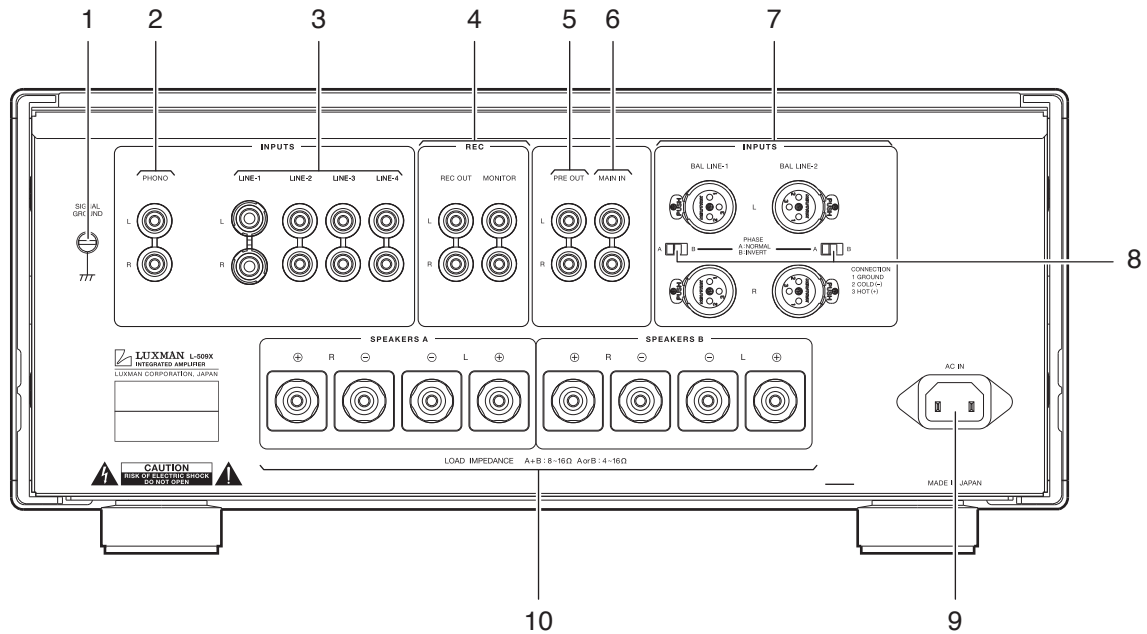
---

The subsonic, monaural and loudness can be toggled only from the accessory remote control (RA-17A).

---

# Names and Functions

## Rear panel



### 1. Signal ground

#### (ground terminal) (SIGNAL GROUND)

Is a ground terminal for devices to be connected to this unit. This terminal is used to reduce noise when other devices are connected. This terminal is designed not for safety.

### 2. Phono input terminal (PHONO)

Is an input terminal to connect an analog record player.

---

Do not connect a CD player or other devices whose output level is high to this terminal.

Normal playback cannot be achieved due to sound crack.

---

### 3. LINE-1, LINE-2, LINE-3, and LINE-4 input terminals (unbalanced) (LINE-1, LINE-2, LINE-3, and LINE-4)

Are used for high-level signal inputs from a CD player, an SACD player, a D/A converter, a tuner, a DVD player, a TV, and other such devices. The input sensitivity is 180 mV, and the impedance is 47 k $\Omega$ . A copper alloy terminal is used only for LINE-1. These input terminals offer the same functions.

### 4. Recorder input/output terminals (REC)

Connect the audio input/output of a recorder. The audio input of a recorder is connected to REC OUT, and the audio output of a recorder is connected to MONITOR.

---

Do not insert shortpin plugs into REC OUT.

No sound will be generated.

---

## 5. Pre out terminal (PRE OUT)

This terminal is used to obtain the output of the preamplifier section. A bi-amp connection can be performed with a combination of an external power amplifier because this terminal always provides output regardless of the separate switch setting.

---

**Do not insert shortpin plugs into PRE OUT.  
No sound is generated.**

---

## 6. Main in terminal (MAIN IN)

Provides input to the main-amplifier section when the pre-amplifier and main-amplifier are separated by setting the separate switch to on.

## 7. Balanced input terminals/INPUTS (BAL LINE-1, BAL LINE-2)

Are the balanced input terminals of the LINE level for XLR connectors.

## 8. Phase inverters (PHASE)

Change the phase when the balance input terminal is used. The phase shall be corresponding to the phase of the input device.

- |                    |            |
|--------------------|------------|
| A: NORMAL position | ① GROUND   |
|                    | ② COLD (-) |
|                    | ③ HOT (+)  |
| B: INVERT position | ① GROUND   |
|                    | ② HOT (+)  |
|                    | ③ COLD (-) |

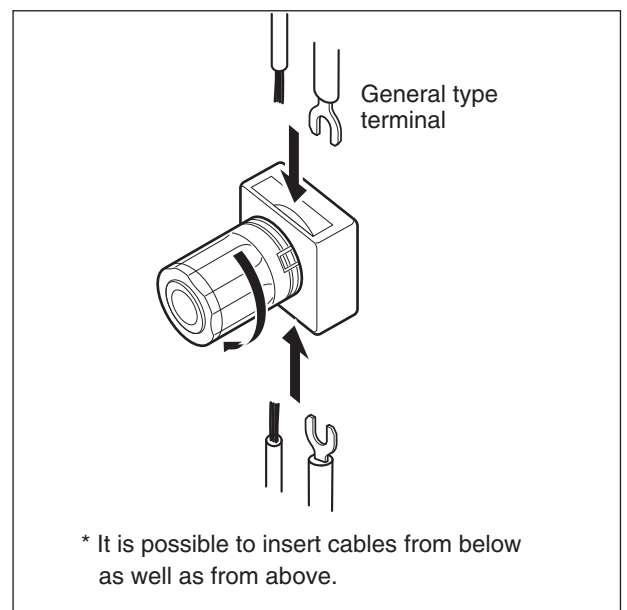
## 9. AC inlet (AC IN)

Connects the accessory power cable. The power shall be supplied from a household wall socket.

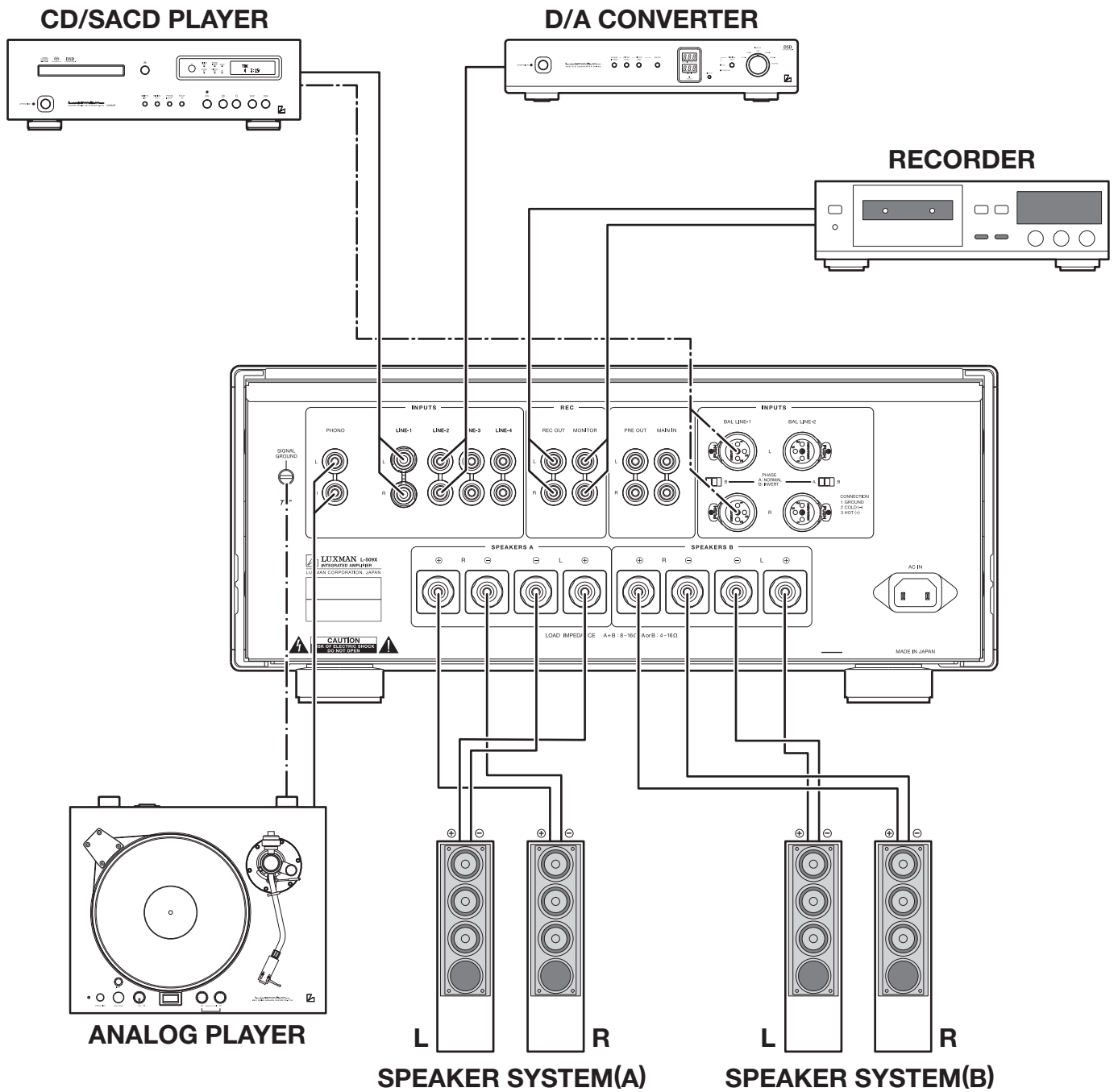
## 10. Speaker terminals (SPEAKERS)

Connects a speaker system.

The right speaker terminal shall be connected to the R side, and the left speaker terminal shall be connected to the L side in consideration of the polarity.



# Connections



## Before Connecting

Before connecting other devices, connect the jack side of the accessory power cable to the AC inlet of this unit.

---

**When connecting, turn off the power supply of this unit and the power supplies of auxiliary devices to prevent unexpected accidents that may be caused by noise.**

---

## How to connect power supply

Use the accessory power cable and insert the AC plug in an outlet on the wall in the listening room.

## How to connect CD player, SACD player, D/A converter, tuner, or other devices

Connect between the output terminals of a CD player, an SACD player, a D/A converter, a tuner, or other such input devices and the LINE-1 input terminals of this unit with 2 (R and L) pin-plug cables or balanced cables.

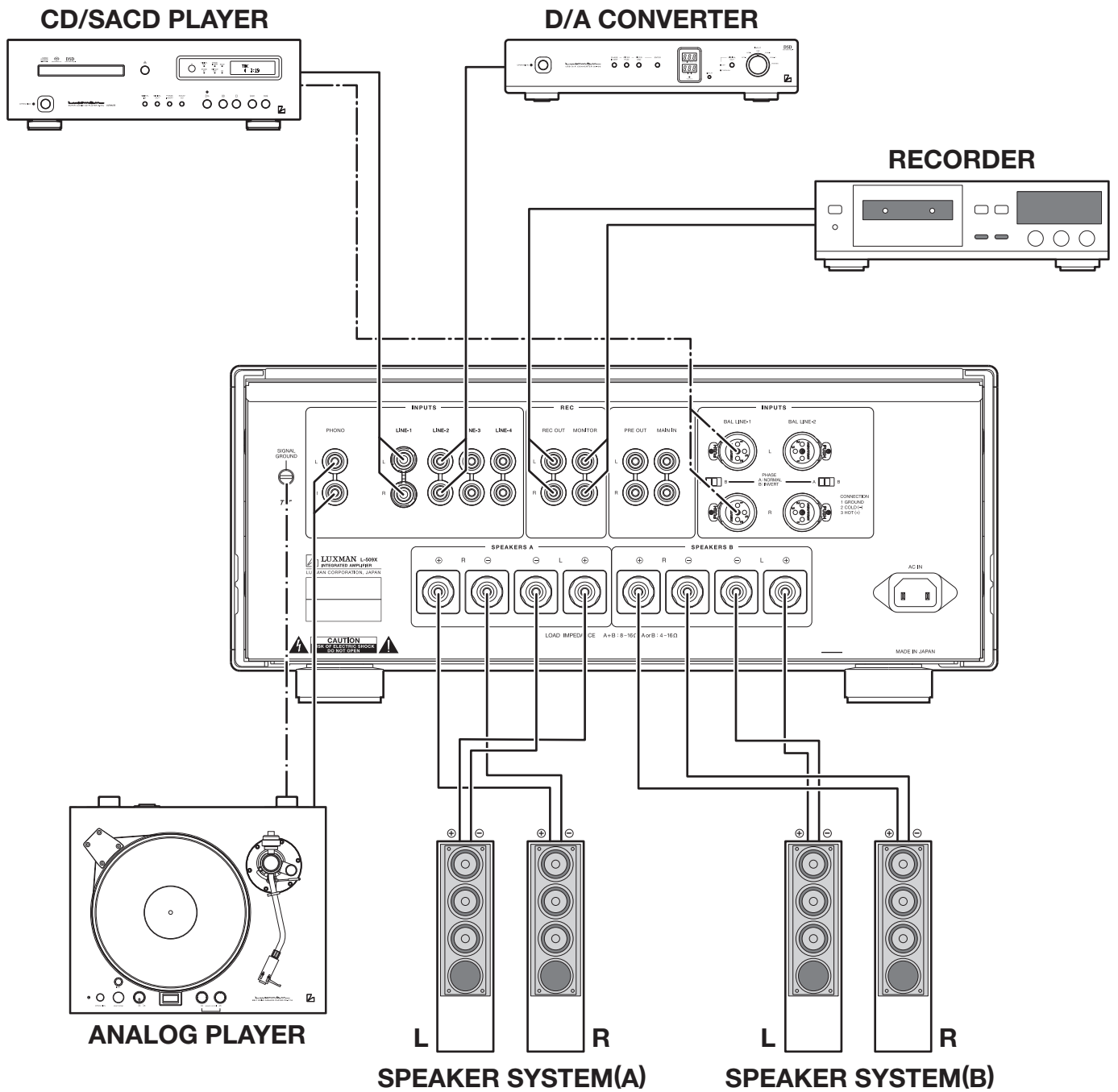
For LINE-2, LINE-3, and LINE-4 input terminals, connection in the same fashion as the LINE-1 terminals provides the reproduction likewise.

## How to connect speakers

Connect the left-channel speaker to the SPEAKERS-L terminal of this unit and the right-channel speaker to the SPEAKERS-R terminal.

Securely connect the ⊕ terminal of the speaker system to the speaker terminal ⊕ (red) of this unit, and the ⊖ terminal of the speaker system to the speaker terminal ⊖ (black) of this unit. If the ⊕ and ⊖ terminals are reversely connected to either of the right and left speaker systems, the acoustic phases of the sound reproduced from the right and left speaker systems are also reversed. In such a case, be aware that the sound level in the low range will be reduced and the acoustic stability will worsen, thus failing in normal stereo playback.

# Connections





## How to connect analog record player

Connect between the output terminals of an analog record player and the PHONO terminals of this unit with 2 (R and L) pin-plug cables.

For some types of players, the ground wire from the phono motor or the tone arm should be connected to the ground terminal of this unit.

The phono equalizer of this unit uses the MM or MC cartridge. If an MC cartridge with low output voltage is used, set the cartridge selector on the front panel to the MC position.

---

The output from an analog record player equipped with a phono equalizer or from an independent phono equalizer shall be connected to the line input terminals of this unit.

---

## How to connect recorder

### 1. Connection to monitor terminal (playback)

Connect between the line output terminals (LINE OUT) of a recorder and the monitor terminals of this unit with pin-plug cables in consideration of L and R. Now, setting the monitor switch on the front panel or the remote control to on provides playback.

### 2. Connection to REC OUT terminal (recording)

When the sound source from the various input devices is reproduced, which are connected to the PHONO or LINE terminals of this unit, setting the recording switch provides the REC OUT terminal with the signal.

Connection between the REC OUT terminal of this unit and the line input terminals (LINE IN) of the recorder with pin-plug cables is required for recording on the recorder. After the connection, you can enjoy listening to the sound from the speaker system and record the sound at the same time. These output signals for recording are not affected by the control functions such as the volume control and tone control functions.

---

When you need not toggle an input source to be recorded (especially when a recorder connected to the recorder output terminals is recording), do not operate this switch. Do not insert shortpin plugs into REC OUT. No sound is generated.

When a CD recorder, tape recorder, or other devices are connected, be aware that the playback sound volume becomes low or no sound is generated if the device extremely decreases the impedance of the line input terminals of the recorder or causes short-circuit on the line input terminals when the recording switch is set to on.

---

## How to connect PRE OUT/MAIN IN terminal

Either the pre-amplifier or main-amplifier can be separately used.

When the pre-amplifier or main-amplifier is separately used, set the separate switch on the front panel to on.

When only the pre-amplifier is used, connect the PRE OUT terminal of this unit to the input terminal of another power-amplifier, and when only the main-amplifier is used, connect the MAIN IN terminal of this unit to the output terminal of another power-amplifier.

---

When this amplifier is used without separating between pre-amplifier and main-amplifier, set the separate switch on the front panel to off, or no sound is generated.

Do not insert shortpin plugs into PRE OUT.

No sound is generated.

---

# Operations

## Before operation

1. Ensure that the connections are correctly performed. (Normal playback cannot be achieved with wrong connections of R, L, ⊕, or ⊖)
2. When the power is toggled between on and off or the input selector is changed over, set the volume control to the minimum position in advance.

## Playback procedure

1. Press the operation switch to turn on the switch after ensuring that the volume control is set to the minimum position.
2. Select a source to be reproduced with the input selector.
3. Adjust the sound level with the volume control.
4. Operate the line straight switch, balance control, and tone control according to the reproduced source.

## How to operate line straight switch

The line straight switch is used to play sound with the shortest signaling route for enhancing the purity of the source selected with the input selector. When this switch is set to on, the balance control, tone control, subsonic, monaural and loudness are bypassed.

## How to operate balance control

The balance control allows users to adjust the balance of sound volume between right and left channels. When the balance adjustment is not required, the balance control is set to the center position.

---

**When the line straight switch is set to on, the balance control does not function.**

---

## How to operate the tone control

This unit has the tone control function for the low-frequency and high-frequency ranges.

The low-frequency range type works in the 300 Hz or lower. The tone control is set to flat frequency characteristics at the center position. Rotating the control clockwise makes the low-frequency range enhanced, and rotating the control counterclockwise makes the low-frequency range attenuated.

The high-frequency range type works in the 3 kHz or more. The tone control is set to flat frequency characteristics at the center position. Rotating the control clockwise makes the high-frequency range enhanced, and rotating the control counterclockwise makes the high-frequency range attenuated.

For both the low-frequency and high-frequency ranges, the right and left channels interlockingly function.

---

**When the line straight switch is set to on, the tone control does not function.**

---

## How to record a source

1. Select a source to be recorded with the input selector.
2. Set the recording switch to on.
3. Play the source to be recorded and set the recorder to the recording state.

\* Operation of the tone control or balance control does not affect the recording signals.

\* The recording switch works when the power is on.

## Procedure of timer-controlled recording

1. Turn on the operation switch to activate this unit.
2. Select a source to be recorded under timer control with the input selector.
3. Set the recording switch to on.
4. Perform time setting for start and stop times with your timer.
5. Refer to the operating instructions of the timer and other connected devices for further information.

---

**If the volume control is not set to low levels, the source selected with the input selector may be reproduced from the speakers. Be sure to set the volume control to a low level. When timer-controlled recording is performed, operations of the amplifier are the same as regular use.**

---

## Procedure of timer-controlled playing

1. Turn on the operation switch to activate this unit.
2. Select a source to be reproduced under timer control with the input selector.
3. Adjust the volume level with the volume control.
4. Perform time setting for start and stop times with your timer.
5. Refer to the operating instructions of the timer and other connected devices for further information.

## Memory

This unit stores the following items when the power is off:

Item	Default
INPUT	Selected source
METER	on/off
MONITOR	on/off
SUBSONIC	on/off
MONO	on/off
LOUDNESS	on/off
LINE STRAIGHT	on/off
SEPARATE	on/off

## Memory reset

The following operations restore all the settings to the factory defaults.

- (1) Turn off the power of this unit.
- (2) Hold down the operation switch on the main unit for 5 seconds or more and press the line straight switch on the main unit once while holding down the operation switch, and the power state switches from on to off.

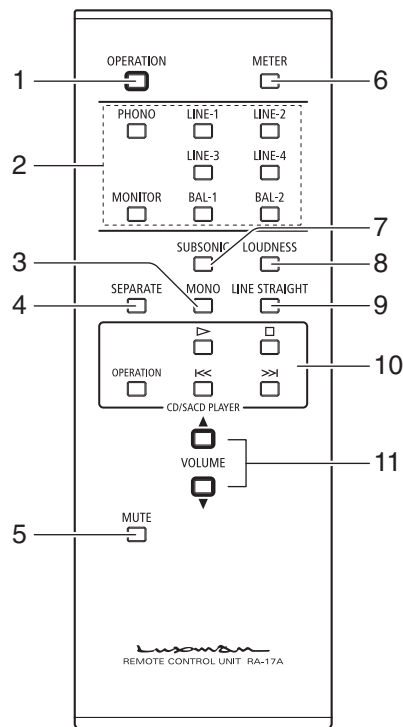
That's all for memory reset.

Factory default

Item	Default
INPUT	LINE-1
METER	on
MONITOR	off
SUBSONIC	off
MONO	off
LOUDNESS	off
LINE STRAIGHT	off
SEPARATE	off

# How to use Remote Control

## Remote control (RA-17A)



### 1. Operation switch (OPERATION)

Toggles the power on and off.

When wiring or connection is performed, be sure to turn off this switch.

### 2. Input selector (LINE-1, LINE-2, LINE-3, LINE-4, BAL-1, BAL-2, PHONO, MONITOR)

Selects an input terminal from among the unbalanced input terminals on the rear panel (LINE-1, LINE-2, LINE-3, LINE-4, PHONO, and MONITOR) or the balanced input terminals (BAL LINE-1 and BAL LINE-2).

### 3. Monaural switch (MONO)

Mixes the signals from right and left channels. The monaural indicator lights up when this switch is pressed.

Pressing this button again to turn off the monaural switch provides regular stereophonic reproduction.

\* When the line straight switch is set to on, this switch does not function.

### 4. Separate switch (SEPARATE)

Separates the pre-amplifier and main-amplifier section each other.

off (separate indicator off):

Uses this unit as a normal integrated amplifier.

on (separate indicator on):

Feeds external signals from the MAIN IN terminal on the rear panel to the main-amplifier section.

- Holding down this switch for 1 second toggles the separate switch on and off.

The separate indicator lights up when the separate switch is on.

### 5. Mute switch (MUTE)

Activates the mute function and blinks the power-on indicator. No sound generated.

Pressing this button again sets the mute function to off.

### 6. Meter switch (METER)

Turns off the meter lights.

Pressing this switch again turns on the meter lights again.

## 7. Subsonic switch (SUBSONIC)

Cuts ultra-low frequencies out of audible range to prevent ultra-low range noise from adversely affecting audible range. This function is significantly effective especially when an analog record is warped or a woofer is shaking owing to ultra-low range vibration.

- This switch toggles the subsonic on and off.

The subsonic indicator lights up when the subsonic switch is on.

\* When the line straight switch is set to on, this switch does not function.

## 8. Loudness switch (LOUDNESS)

Corrects the characteristics of human ears that causes difficulty in listening to low-pitched and high-pitched sounds when the sound volume is low.

- This switch toggles the loudness on and off.

The loudness indicator lights up when the loudness switch is on.

\* When the line straight switch is set to on, this switch does not function.

## 9. Line straight switch (LINE STRAIGHT)

Enhances the purity of the sound quality by bypassing the balance control circuit, tone control circuit, or the like.

off (line straight indicator off): Line straight off/bypass off  
on (line straight indicator on): Line straight on/bypass on

- This switch toggles the line straight on and off.

The line straight indicator lights up when the line straight switch is set to on.

## 10. CD/SACD player operation switch (CD/SACD PLAYER)

This switch is used to control the corresponding CD/SACD players.

---

The corresponding CD/SACD players are the following 10 models: D-08u, D-06u, D-05u, D-08, D-06, D-05, D-10, D-7, D-600S, and D-700S as of December 2017.

---

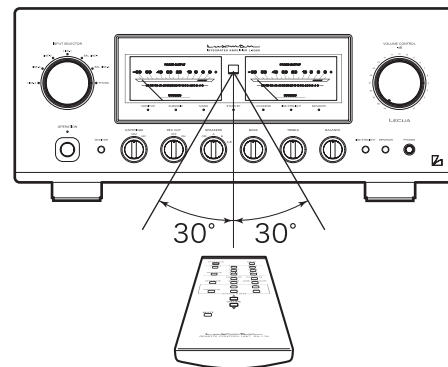
## 11. Volume control switches (VOLUME, ▲, ▼)

Adjusts the sound volume.

- Pressing ▲ increases the sound volume in steps of 1 dB.
- Pressing ▼ decreases the sound volume in steps of 1 dB.

## Remote control

The remote control shall be aimed at the remote sensor of this unit within the specified angle range shown in the illustration.

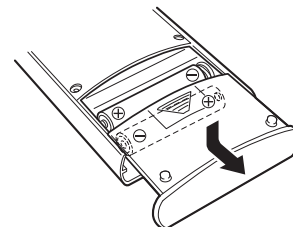


Effective distance:  
approx. 5 meters

## Dry cell

### [How to load dry cells]

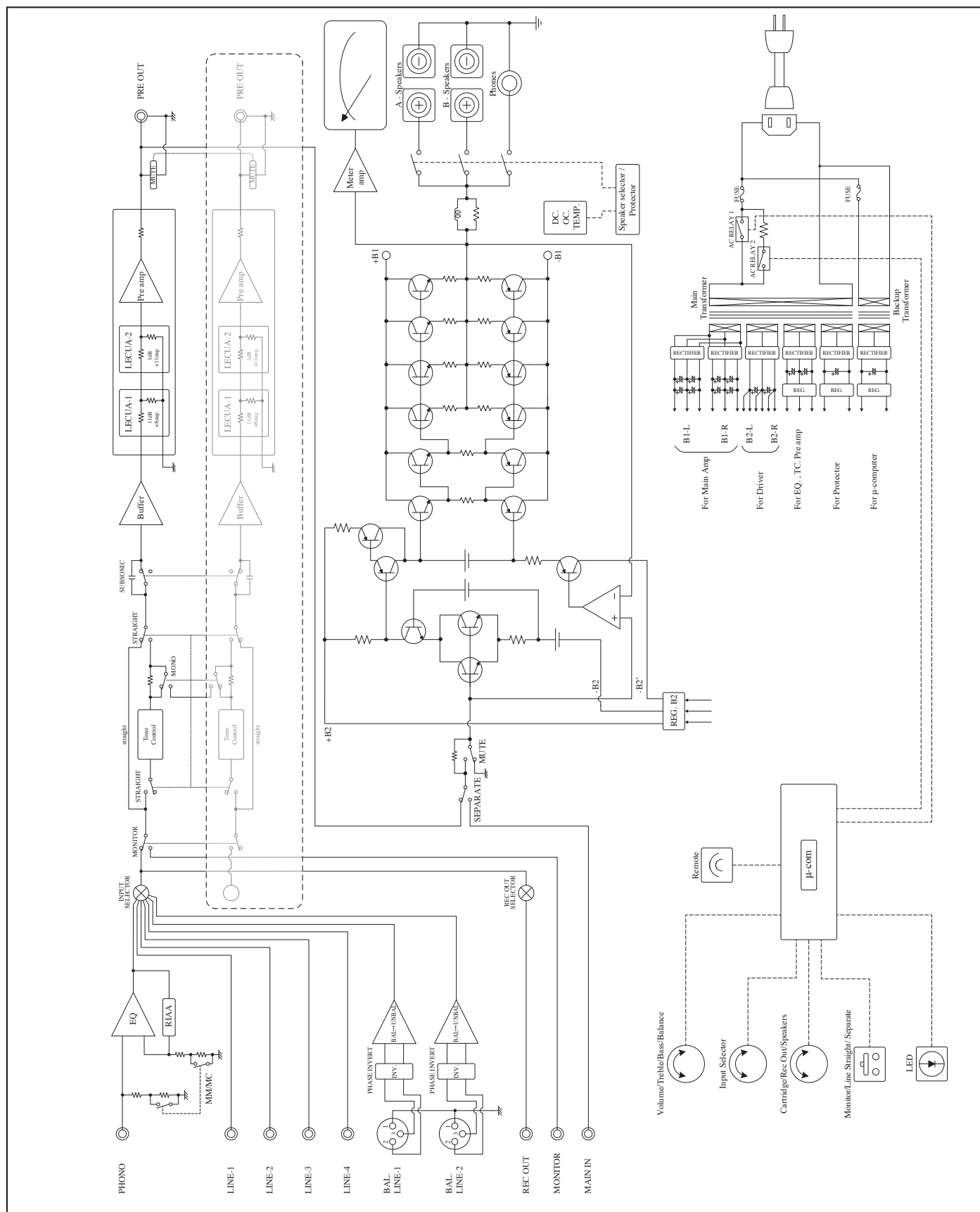
1. Put your finger on the battery cover claw on the rear of the remote control, and slide the cover downward to open it.
2. Put 2 AAA batteries in the battery case as shown in the illustration.
3. Close the battery cover.



\* When the batteries start to lose power, the effective distance becomes shorter or the unit does not function even though the switch is pressed. In such a case, both of the batteries should be replaced with new ones at the same time.

\* If the remote control is not used for a long time, the batteries should be removed from the case.

# Block Diagram



# Specifications

*luxman*  
INTEGRATED AMPLIFIER L-509X

Rated output	120 W+120 W (8 Ω) 220 W+220 W (4 Ω)	
Total harmonic distortion	0.007 % (8 Ω, 1 kHz both channels simultaneous drive, line straight on) 0.06 % (8 Ω, 20 to 20 kHz both channels simultaneous drive, line straight on)	
Pre-amplifier Input sensitivity/input impedance	PHONO (MM)	: 2.5 mV / 47 kΩ
	PHONO (MC)	: 0.3 mV / 100 Ω
	LINE	: 180 mV / 47 kΩ
	MONITOR	: 180 mV / 47 kΩ
	BAL. LINE	: 180 mV / 55 kΩ
Main-amplifier Input sensitivity/input impedance	MAIN IN	: 1.1 V / 47 kΩ
Output voltage	REC OUT	: 180 mV
	PRE OUT	: 1 V
S/N ratio	PHONO (MM)	: 91 dB or more (IHF-A correction, 5 mV input)
	PHONO (MC)	: 75 dB or more (IHF-A correction, 0.5 mV input)
	LINE	: 105 dB or more (IHF-A weighted, input shorted, line straight on)
Frequency response	PHONO (MM)	: 20 Hz to 20,000 Hz (±0.5 dB, line straight on)
	PHONO (MC)	: 20 Hz to 20,000 Hz (±0.5 dB, line straight on)
	LINE	: 20 Hz to 100,000 Hz (within -3 dB, line straight on)
Tone control	Max. amount of change	BASS : ±8 dB at 100 Hz TREBLE : ±8 dB at 10 kHz
Loudness control	100 Hz	: +7 dB
	10 kHz	: +5 dB
Damping factor	: 370	
Supplied functions	<ul style="list-style-type: none"> <li>• Power meters</li> <li>• Balance control</li> <li>• Speaker selector (OFF, A, B, A+B)</li> <li>• Monaural switch (remote control)</li> <li>• Tone control</li> <li>• Phone jack</li> <li>• Phase inverter switch</li> <li>• Mute switch (remote control)</li> <li>• Recording switch</li> <li>• Subsonic switch (remote control)</li> <li>• Separate switch</li> <li>• Line straight switch</li> <li>• Loudness switch (remote control)</li> </ul>	
Accessories	<ul style="list-style-type: none"> <li>• Remote control (RA-17A)</li> <li>• Owner's Manual (This document)</li> <li>• Safety cautions</li> <li>• Power cable</li> <li>• 2 pieces of "AAA" batteries</li> </ul>	
Power supply	230 V ~ (50 Hz)	
Power consumption	380 W 0.5 W (at standby), 150 W (at no input)	
Max. external dimensions	440 (W) x 193 (H) x 463 (D) mm (front side knob with 20 mm and rear side terminal with 37 mm included in depth)	
Weight	29.3 kg (main unit only)	

\* Specifications and appearance are subject to change without notice.

# Before Asking for Repair Services

While in use, this unit may display phenomena which may be confused as malfunctions. Before contacting your country's official LUXMAN distributor for repair services, please read the operating instructions and operating instructions for any connected input and through output devices and check the troubleshooting table below. If the cause of the malfunction cannot be identified, please contact your dealer. After LUXMAN's representatives have accepted your request for repair services, inspection fees and transportation expenses may be claimed, even though the unit may be found to be operating normally.

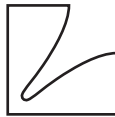
Problem	Cause	Solution
No power is supplied even though the operation switch is pressed.	• The power plug is disconnected from the wall outlet, or it is not completely inserted.	• Insert the power plug in the wall outlet completely.
	• The power plug is disconnected from the AC inlet, or it is not inserted completely.	• Securely insert the power plug in the AC inlet.
No sound is generated.	• The volume control is set to the minimum level.	• Rotate the volume control clockwise to adjust the sound volume.
	• The input selector is not set to the source to be reproduced.	• Set the input selector to the source to be reproduced.
	• Cable connections are incomplete.	• Make cable connections securely.
	• The output level of the input device is set to the minimum position.	• Adjust the output level.
	• The separate switch is set to on.	• Set the separate switch to off.
	• The mute switch of the remote control is set to on.	• Set the mute switch to off.
No sound is generated on one side.	• The balance control is fully rotated.	• The balance control shall be set to the center position under normal conditions.
	• The connecting cable is not connected on one side only.	• Make cable connections securely.
Humming sound (boon or zzz noise) is generated.	• The ground side of the pin-plug cable has no contact with the terminal.	• Make connections securely so that the ground side of the pin-plug cable can be connected.
	• The ground wire of the analog record player is not connected.	• Connect the ground wire of the analog record player to the GND terminal.
	• Connections or mounting conditions are incomplete between the cartridge and shell, or between the shell and tone arm of the analog record player.	• Connect (or mount) the cartridge, shell, and tone arm securely.
No effect of tone control or balance control is observed.	• The line straight switch is set to on.	• When tone control or balance control is used, the line straight switch shall be set to off.
The subsonic, monaural or loudness is not activated.	• The line straight switch is set to on.	• When the subsonic, monaural or loudness is used, the line straight switch shall be set to off.
The lights of the power meters are not turned on.	• The meter switch is set to off.	• Set the meter switch of the remote control to on.
The separate switch of the remote control is not activated.	• To prevent incorrect operations, this unit is designed to toggle the separate on/off by holding down the separate switch approximately for approx. 1 second.	• Hold down the separate switch of the remote control for approx. 1 second.





# MEMO





**LUXMAN CORPORATION, JAPAN**

1-3-1 Shinyokohama, Kouhoku-ku, Yokohama-shi, Kanagawa 222-0033, Japan

AG00987E71A  
Printed in Japan