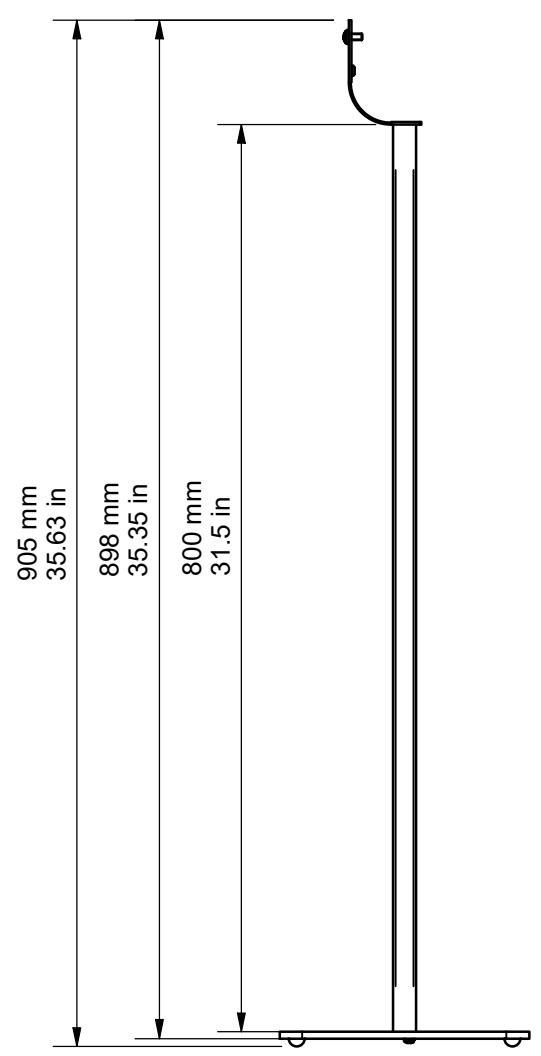
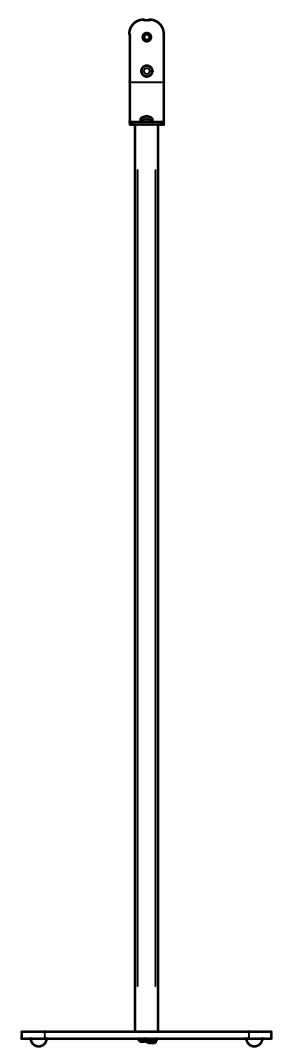


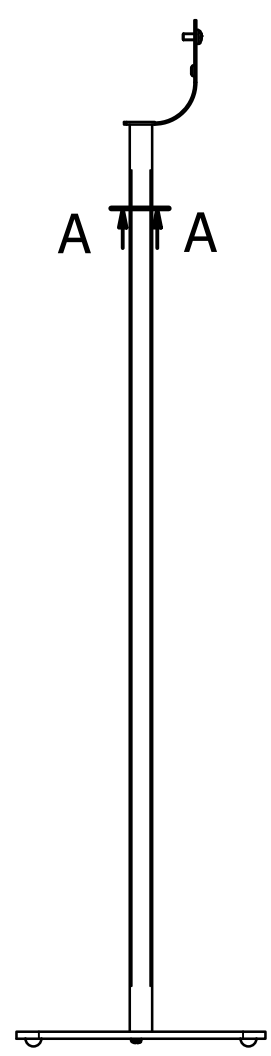
SIDE (LEFT)



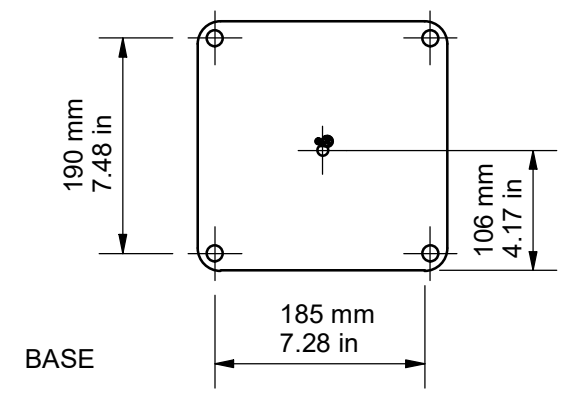
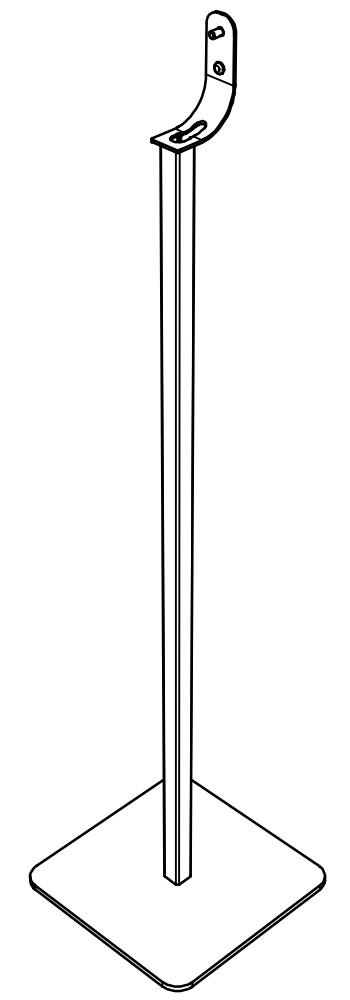
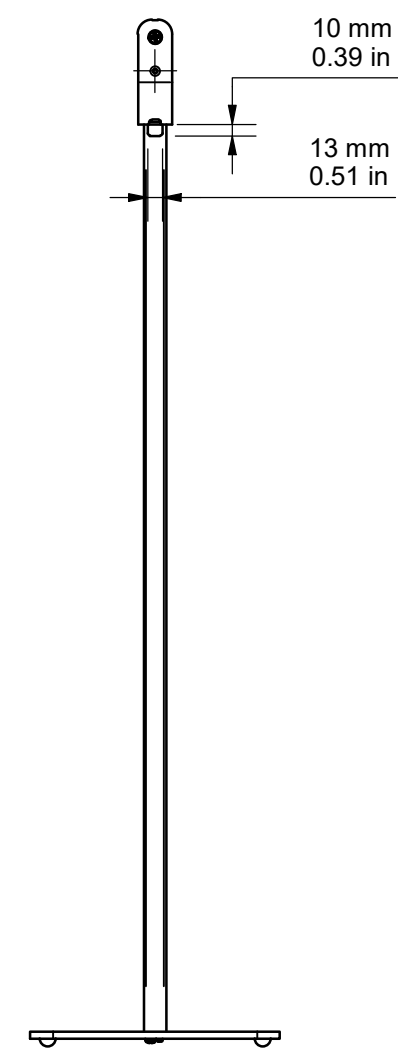
FRONT



SIDE (RIGHT)



REAR



DRAWING FOR REFERENCE ONLY

MASS STAND		
	RANGE: MASS 2G	
	© COPYRIGHT MONITOR AUDIO	3RD ANGLE
	09/08/2018	