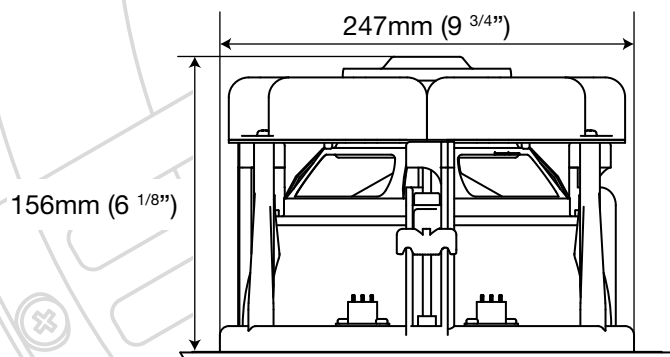


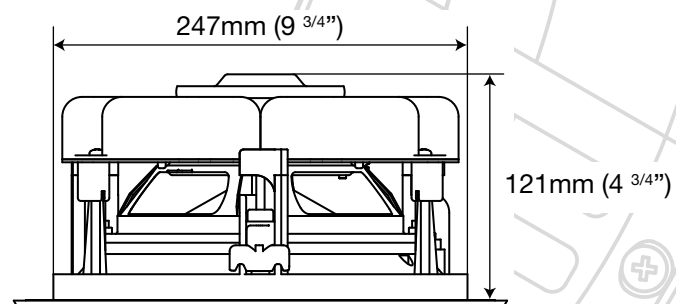


CUSTOM INSTALLATION SERIES

Tri-Grip x 3
= 5Kgf/cm; 4.34 lbf/inch; 0.5 NM



CT280-IDC, CT380-IDC, CT380-FX



CT180, CT180-T2, CT280